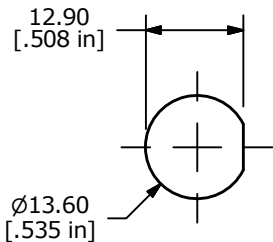
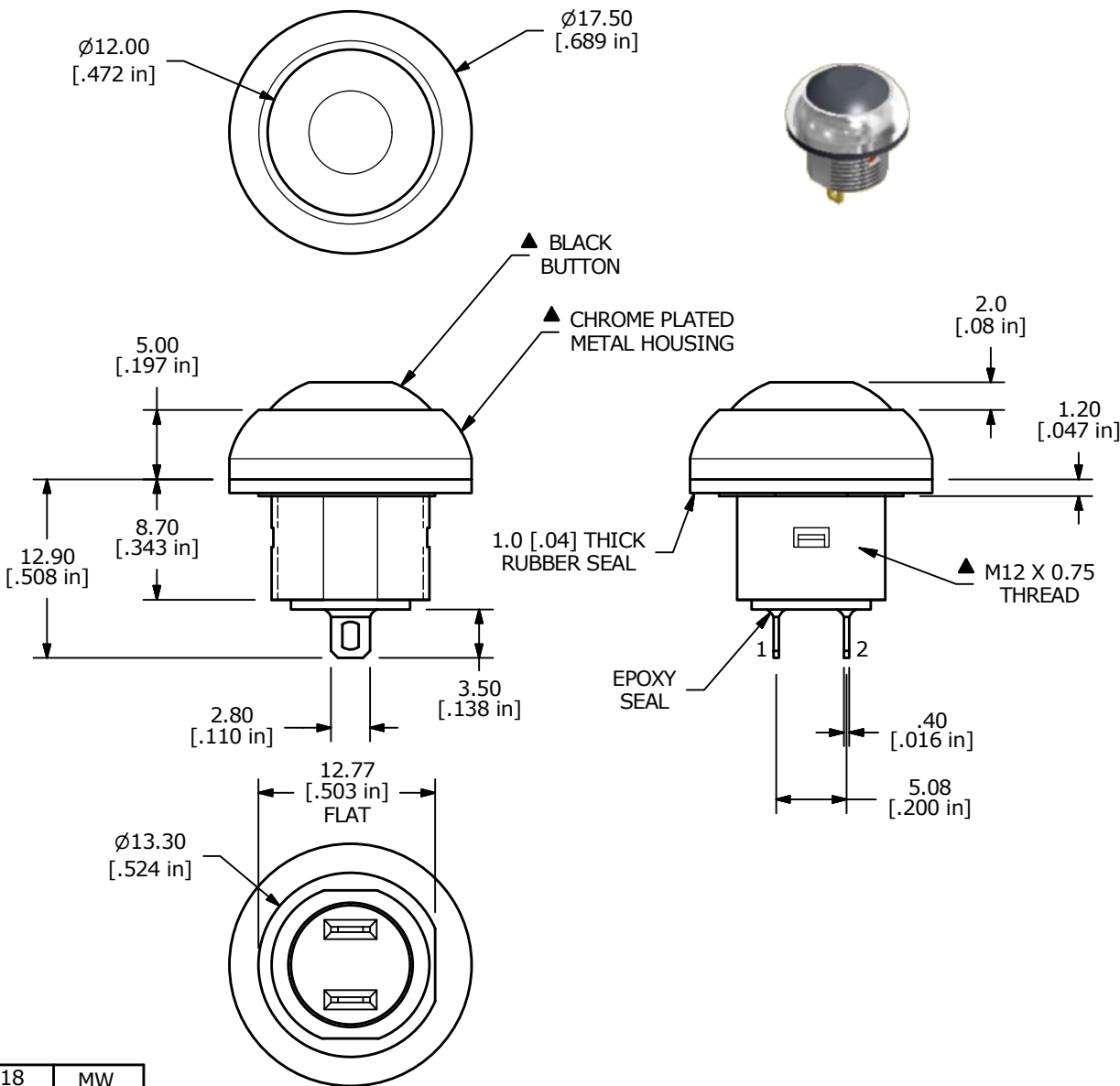


CIRCUIT: SPST
OFF-(ON)
MOMENTARY



PANEL MOUNTING



NOTE:

1. ALL DIMENSIONS IN MM [INCH]
2. GENERAL TOLERANCE: X.X = ±0.4
X.XX = ±0.25
3. TERMINAL NUMBERS FOR REF ONLY
4. CIRCUIT: SPST OFF-MOMENTARY ON
5. CONTACT MATERIAL: Gold OVER SILVER
6. RATING: 500mA @ 48 VAC
200mA @ 50 VDC
200mA @ 250 VAC
7. ELECTRIC LIFE: 500,000 CYCLES AT FULL LOAD
8. CONTACT RESISTANCE: 50 MILLIOHM MAX. (INITIAL)
9. INSULATION RESISTANCE: 1,000 MEGA-OHM MIN. @ 500VDC
10. DIELECTRIC STRENGTH: 1,500 VAC FOR 1 MINUTE.
11. OPERATING FORCE: 350 gf +/- 150 gf
12. OPERATING TEMPERATURE: -30°C to +85°C
13. CONTACT BOUNCE: 10ms MAX.
- ▲ 14. TRAVEL: 1.5±0.25MM
15. PANEL THICKNESS RANGE: 1.5 - 4.0mm
16. ▲ DENOTES CRITICAL PARAMETER.
17. 2011/65/EU (ROHS) COMPLIANT
18. MAX TORQUE APPLIED TO MOUNTING NUT: 1.5Nm
19. HARDWARE INCLUDED:
 - 1) T081101 LOCK WASHER (QTY 1)
 - 2) T081102 HEX NUT (QTY 1)
 - 3) T081103 RUBBER O-RING (QTY 1)
20. SEAL RATING: IP67 AT THE FRONT PANEL

E	23236	drawing update	3/8/18	MW
D	21599	CHANGE SEAL RATING FROM IP65 TO IP67	10/1/14	EBP
c	19683	UPDATE RATING	02/15/11	BMA
B	19358	MISC. DRAWING UPDATES	10/26/10	BMA
A	19294	NEW RELEASE	9/8/10	rc
REV	PCR NO	DESCRIPTION	DATE	BY

THE INFORMATION CONTAINED IN THIS DOCUMENT IS PROPRIETARY TO E-SWITCH AND IS NOT TO BE COPIED OR TRANSFERRED



TITLE RP8300B2M1CECHRBLKNIL				
SCALE	DATE	DR	DWG	REV
2:1	8/16/2010	rc	ST083000	E